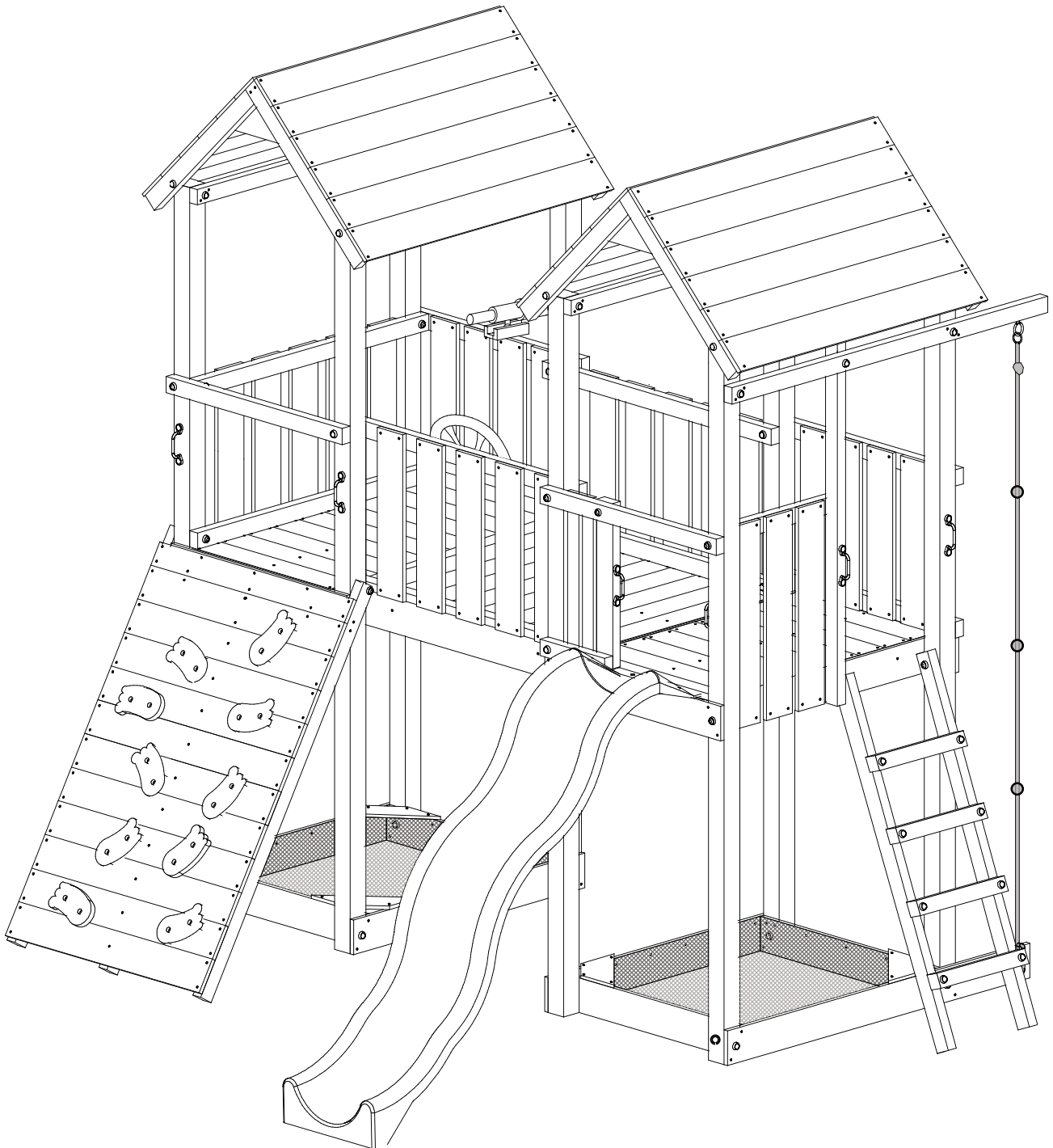
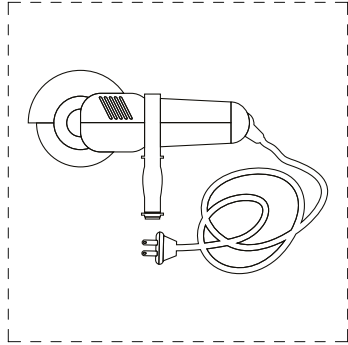
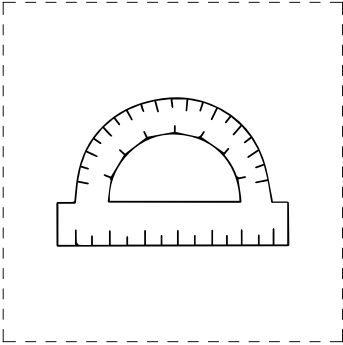
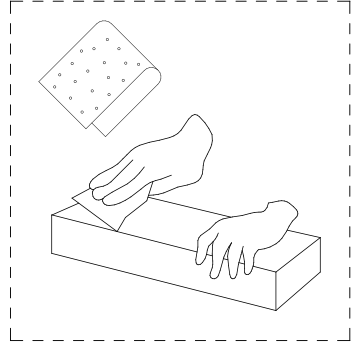
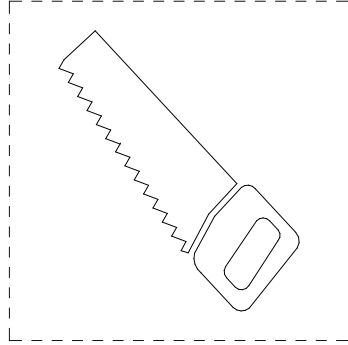
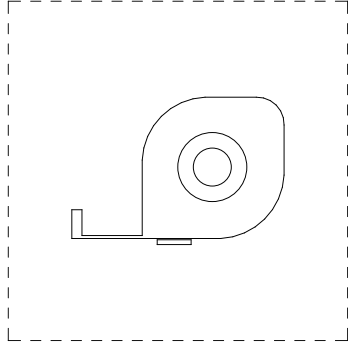
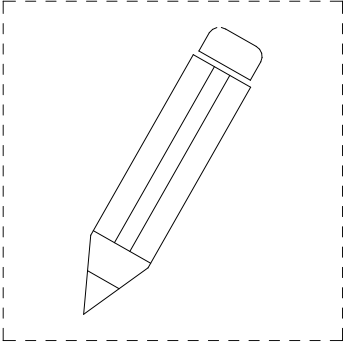


# CAMEL



Necessary tools to cut



Necessary tools to build

